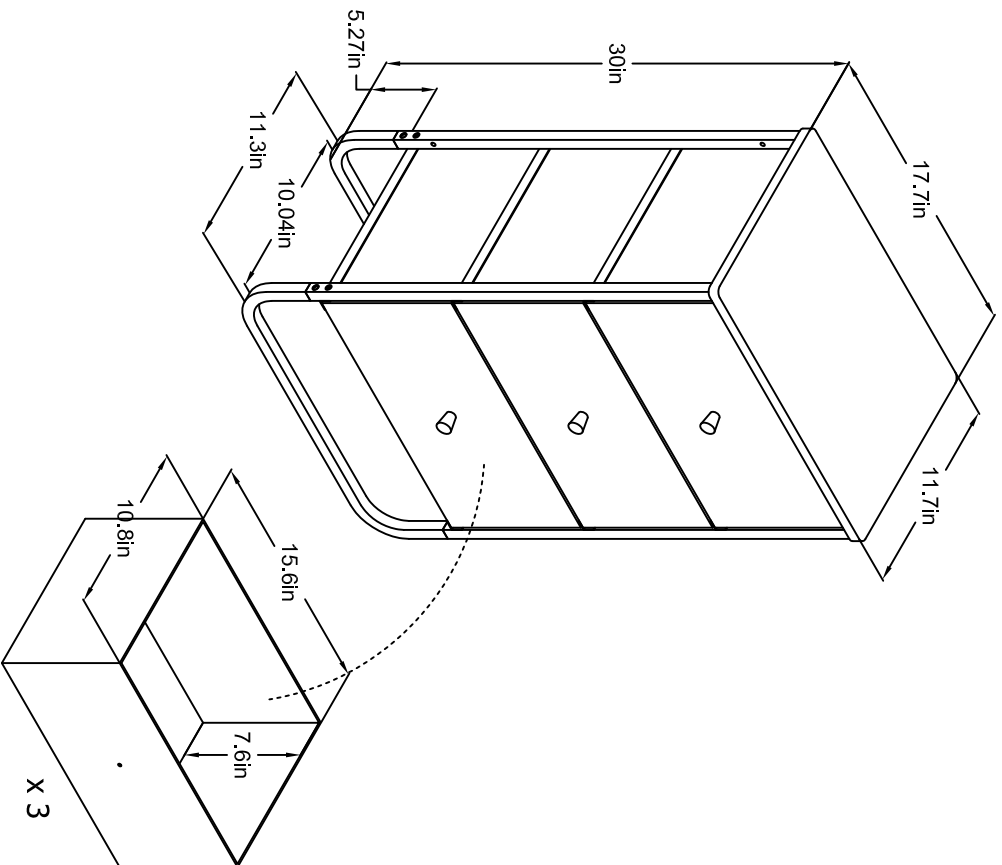
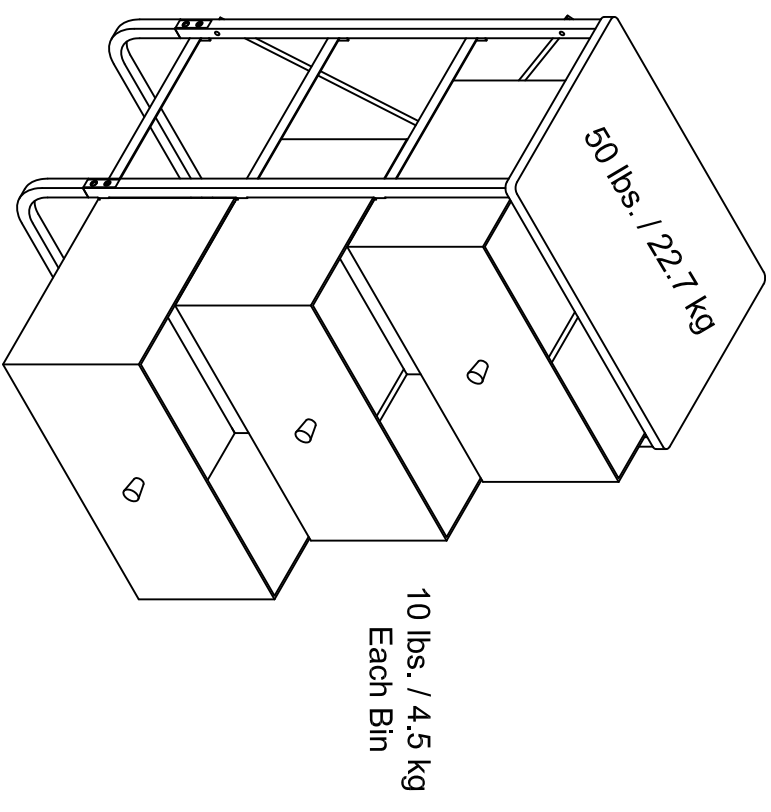


**3447891COM,3447919COM,3447923COM**  
**3 Bin Storage**



**Wood Breakdown:**  
WOOD 21.2%, Steel 43.4%, Bin 35.4%  
**Total storage:** 3 cubic feet

**Overall Product Size:**  
17.7" W x 11.7" D x 30" H  
45cm W x 29.7cm D x 76.2cm H



**Maximum Weight Capacities**  
**Unit Weight:** 13.97 lbs. (6.35kg)